

Cylinder-Operated Flushbolt

For Aluminum Stile Doors

1870 Series

MAY BE INSTALLED TO
LOCK AT THRESHOLD
OR AT HEADER.

▼ Cylinder Backset

31/32" or 1-1/8" only.

▼ Cylinder Height

Standard length (cylinder center to retracted bolt tip) is 12" with ± 1.25 " adjustment. Other lengths available on special order.

▼ Function

Designed for use instead of conventional flip-lever operated flushbolts, the 1870 gives building management key control of the inactive leaf of paired doors. Prevents casual locking of the inactive leaf by children or other unauthorized persons. Uses same basic overcenter action mechanism as MS® pivoted bolt locks. Recommended for installation at both top and bottom of inactive door with MS1850S in active door for greatest security.

▼ Case

Steel with corrosion-resistant plating. 1" x 6" x depth. (Depth varies by backset. See table on back page.)

▼ Bolt

Hexagonal 3/8" flat to flat, with 11/16" throw. Made of stainless steel.

▼ Strike

1/2" diameter hole in metal threshold or header is suitable. For wood installations, 4005 strike is available.

▼ Operation

360° turn of key throws or retracts hex-section bolt. Key can be removed only when bolt is in a positively locked or unlocked position. Accepts any standard 1-5/32" mortise cylinder from either or both sides. Cylinder must have MS® cam. (See page SW-33.)

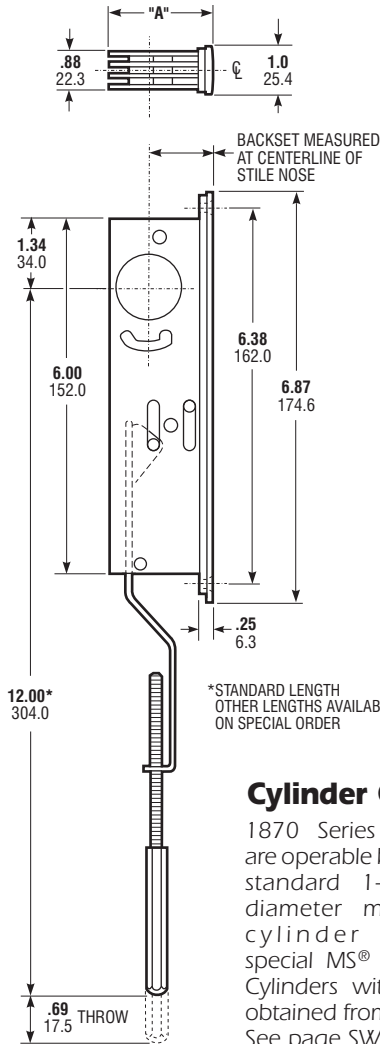


1870 Series Flushbolt

DIMENSIONS

INCHES
MILLIMETERS

Nominal, subject to tolerance extremes.



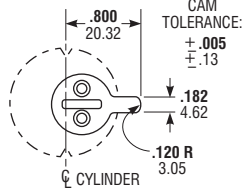
BACKSET	"A"
31/32" 24.6	1.63 41.4
1-1/8" 28.6	1.78 45.2

ARMORED FACEPLATE 1" x 6-7/8"	
FLAT	1870
RADIUS	1871
RADIUS w/WEATHERSTRIP 1871W	
LH BEVEL	1872-05
RH BEVEL	1872-06

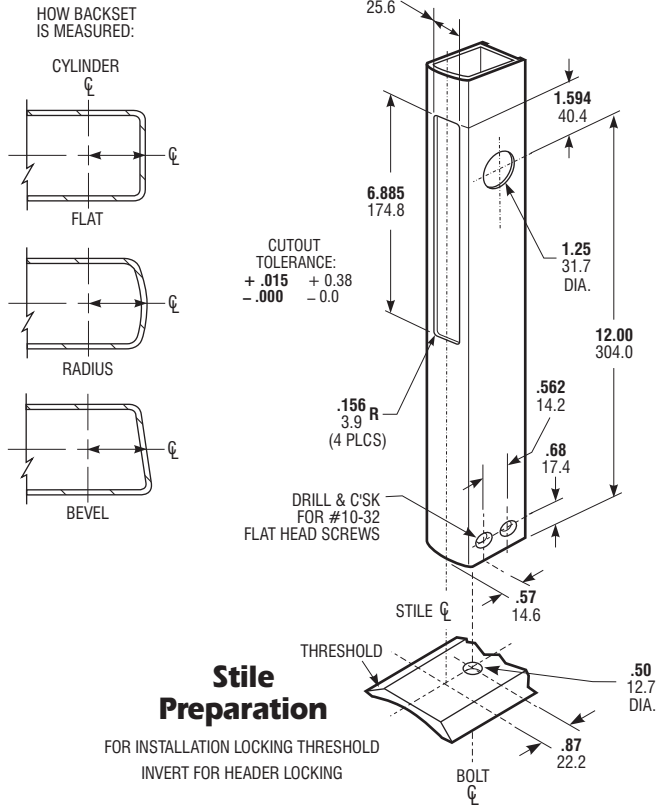
*STANDARD LENGTH
OTHER LENGTHS AVAILABLE
ON SPECIAL ORDER

Cylinder Cam

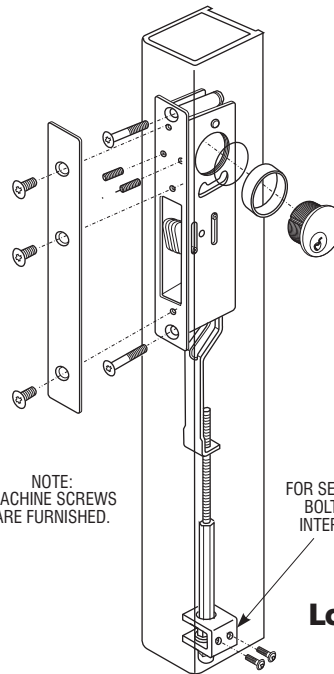
1870 Series locks are operable by any standard 1-5/32" diameter mortise cylinder with special MS® cam dimensioned as shown. Cylinders with MS® cams can be readily obtained from most cylinder manufacturers. See page SW-33 for cylinder make and trim ring information.



INSTALLATION



FOR INSTALLATION LOCKING THRESHOLD
INVERT FOR HEADER LOCKING



NOTE:
MACHINE SCREWS
ARE FURNISHED.

FOR SECURITY, INSTALL
BOLT GUIDE FROM
INTERIOR OF DOOR.

Lock & Cylinder Installation

HOW TO ORDER

Specify quantity and the following information.
Order related hardware separately.

Faceplate Shape	Backset	Handing
1870 Flat	2 31/32"	5 LH or RHR
1871 Radius	3 1-1/8"	6 RH or LHR
1872 Bevel		0 Non-Handed*
1871W Radius w/strip		

1871-20-628

Finish	
628	Clear Anodized
313	Dark Bronze Anod.
335	Black Anodized

STANDARD PACKAGE

Basic lock mechanism boxed with actuator arm attached, rod/bolt assembly unattached. Stainless steel bolt guide, mounting screws and installation instructions included. Cylinders available at extra cost. Shipping weight: 1-1/4 lbs.

*Any flat or radius face.